



EU-8 Expander Unit

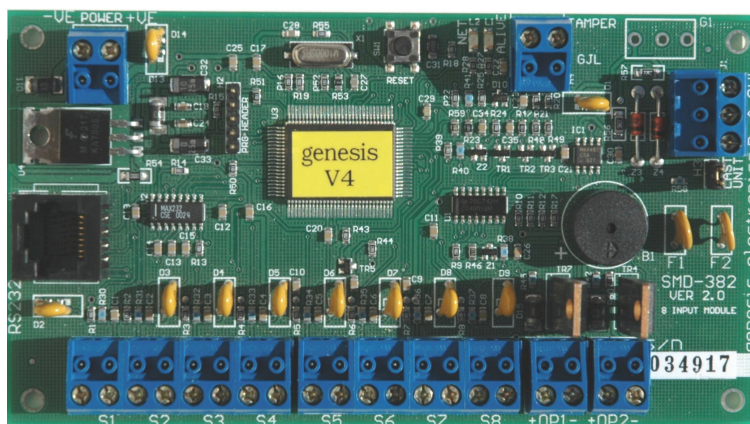
GEN-129

The GEN-025 expander module provides an economical extension of additional 8 monitored inputs a cabinet tamper input, and 2 high current outputs. The module has been designed to provide maximum system flexibility and cost effective system expansion.

The module provides high level of security with 4-state DEOL monitored inputs and 2-open collector outputs, each is rated at a nominal 500mA, all output terminals are protected with maintenance free self resetting fuses.

The GEN-025 expander module can be installed up-to 1500m from the Master Panel, utilising the genesis 2-wire high-speed 485 LAN. The small module size allows for easy standardised mounting in the genesis enclosure with up to 4 LAN devices in the one cabinet.

The on-board RS-232 serial data port provides PC connectivity or high-level interface to 3rd party automation devices.

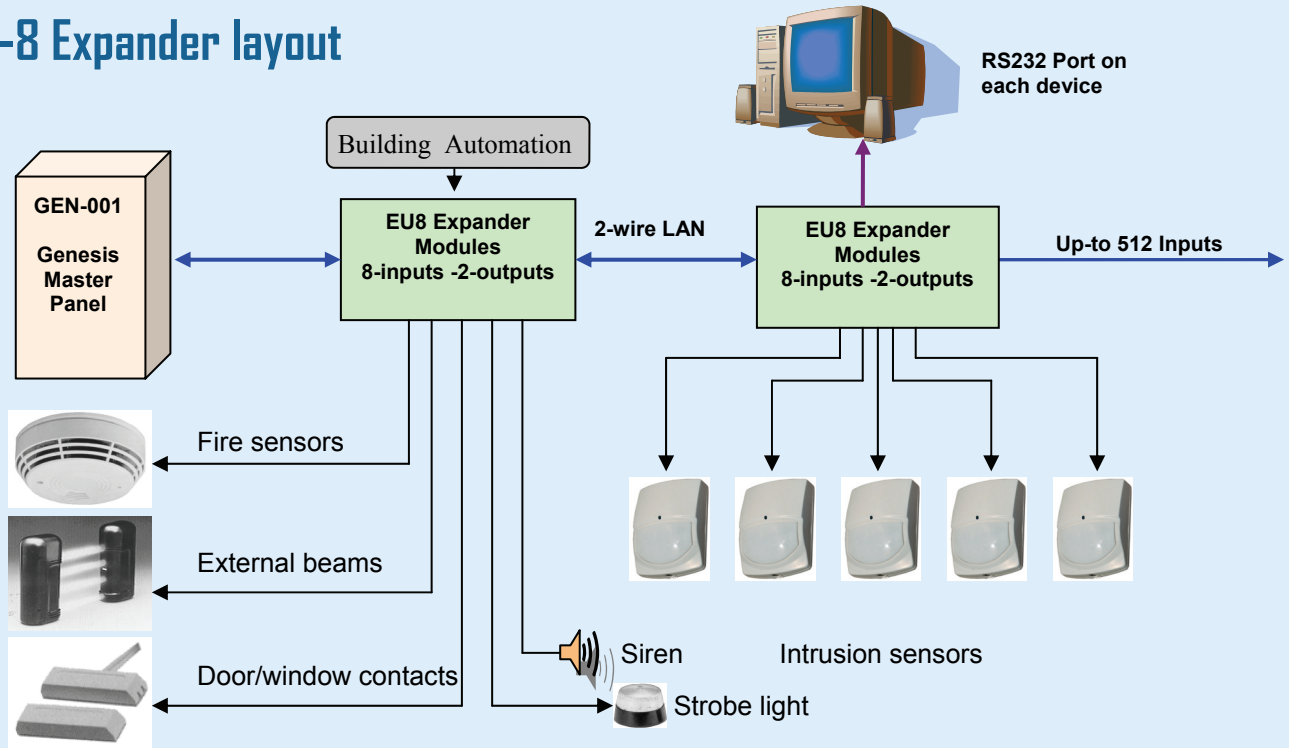


GEN-025 Expander provides

- ◆ 8 x Programmable DEOL inputs
- ◆ 2 x Open collector outputs, 500mA current
- ◆ Separate cabinet tamper input
- ◆ RS-232 PC connectivity port
- ◆ Expands the system up-to 512 outputs
- ◆ Connects directly to the RS-485 LAN bus
- ◆ On-Board 16bit Microprocessor



EU-8 Expander layout



Up to 127 EU8 Expanders are supported on the Genesis RS485 2-wire LAN network

EU-8 Expander Unit

Specification

Processor	16 bit Mitsubishi
Memory	256k ROM + 20k RAM
Size	75 x 145 x 23mm
Shipping weight	0.1kg (100g)
Shipping dimensions	112 x 175 x 50mm
Input voltage	12-16v DC
Current	100mA
Environmental	-15 to + 50 C, 10 to 90% RH non-condensing
Inputs	
Onboard	8 x 4-state monitored
Tamper	1 x Tamper input
Outputs	
Onboard	2 x 12v switched outputs, 500mA per output, electronic fused
Buzzer	1 x programmable
Communications	
PC	RS-232 Port, on-board RJ45 plug
LAN	RS485, LAN speed 19,200 baud rate

Genesis Electronics Australia Pty Ltd

F3, 2-4 Laser Drive, Rowville, Victoria 3178 Australia
 Phone: +61 3 9763 4359 Fax: +61 3 9763 4098
www.geneselectronics.com.au
info@geneselectronics.com.au

Distributed by:



NZ ISO 9001-2000

